



Multifunction Meters

Transducers & Isolators

Temperature Controllers

Converters & Recorders

Digital Panel Meters

Current Transformers

Analogue Panel Meters

Shunts

Digital Multimeters

Clamp Meters

Insulation Testers

COMPACT 3 PHASE CURRENT TRANSFORMERS

Features

- Compact 3 phase CT
- UL grade polymer
- IP 20 at secondary terminal
- Accuracy class of 0.5
- Compact dimensions and simple connection technology
- Easy installation
- Fast and convenient way to connect current transformers via RJ12

SUBJECT TO CHANGE WITHOUT NOTICE

This manual superseded all previous versions – please keep for future reference

Features

- Measurement of AC current for frequency 50/60Hz
- High electric isolation between primary conductor and output
- Easy and safe electrical connection
- Primary rated current 63A, 125A and 250A AC
- High system voltage
- RJ12 Cable Included
- Fast and convenient way to connect current transformers via RJ12



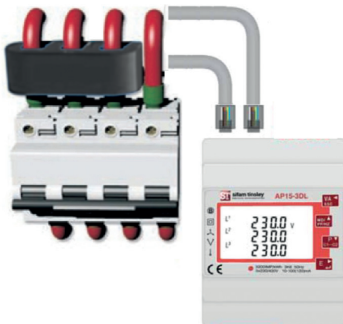
Mounting / Installation of 3 Phase Compact CT

Installation in confined spaces, utilizing the space above the circuit breakers.

In installations that allow the power supply to be shut down for the installation of transformers.

Sifam Tinsleys Compact 3 Phase Current Transformer with RJ12 connection a very compact, efficient and robust current transformer for measurement of AC RMS currents. It provides 100 mA AC output (other output variations available on request) and can be used in conjunction with the AP15 and AP35 RJ12 multi function metering range. This 3 phase compact CT combines three traditional current transformers in one moulding case with a RJ12 connection for simple and easy error free installation. Our 3 Phase current transformers can be directly installed next to a three-phase moulded case circuit breaker, thus saving installation time where fitting three standard individual current transformers would be required. All 3 phase current transformers are supplied with a 1.5 metre connecting cable, with an integrated RJ12 connector, termination at the meter end. Nominal rated secondary current 100mA AC RMS per phase.

3 Phase Compact CT

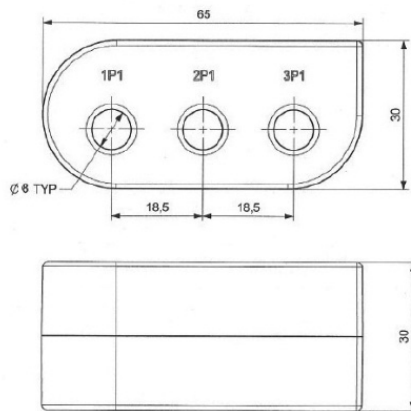


Technical data:

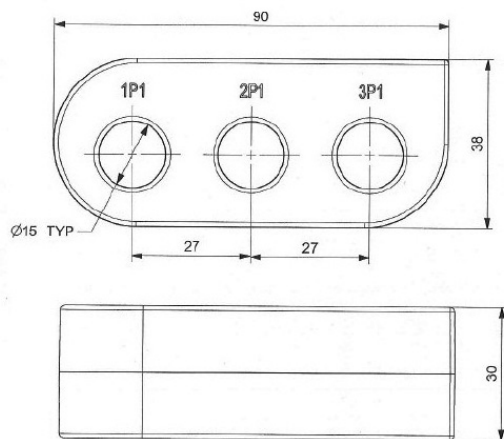
Rated Primary current	63A, 125A and 250 A AC
Frequency range	50/60 Hz
Rated secondary current	100 mA AC (optional 250mA)
Burden	0.1 VA
Accuracy Class	0.5
Max. operating voltage U	0.72 kV maximum
Applicable Standard:	IEC 61869-2 and IEC 60044 -1
Thermal short circuit current	60 Ith
Dynamic Current	2.5 Ith
Insulation Class / Ingress Protection	E / IP 20
Operating temperature:	-25° C < T _U < +60° C, 0...95% rH, without condensation
Storage temperature:	-40° C < T _L < +90° C
Case	Polycarbonate, Flame retardant grades classified UL 94V-0
Connection	RJ 12 connection



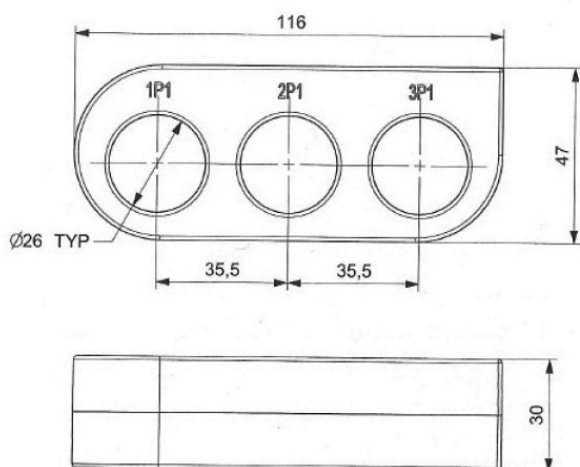
Compact 3 Phase Current Transformers with RJ12 connection



X308: 63A



X306: 125A



X307: 250A



Ordering information

X306	X30X	XXX	XX	X	X	X	X	XX	XX
X307									
X308									
Primary current									
63 A		063							
250 A		250							
125 A		125							
Secondary									
100 mA AC			10						
Burden									
0.1 VA				1					
Accuracy Class									
0.5					1				
Colour									
Grey							G		
Company code									
Sifam Tinsley								S	
									00
									00

Sr. No.	Ordering code	Description
1	X308-0631011GS0000	CTB 3PH 65/8 63/100mA,0.1/0.5
2	X306-1251011GS0000	CTB 3PH 90/15 125/100mA,0.1/0.5
3	X307-2501011GS0000	CTB 3PH 116/26 250/100mA,0.1/0.5

Model 3PH 65/8

RJ12 Three Phase Current Transformer (18.5mm Centres)

Case: 65mm wide x 30mm deep x 30mm high. Aperture 3@ 6mm diameter

Part Number	RATIO	VA at CL0.5
X308-0631011GS0000	63/100mA	0.1

Model 3PH 90/5

RJ12 Three Phase Current Transformer (27mm Centres)

Case: 90mm wide x 38mm deep x 30mm high. Aperture 3@ 15mm diameter

Part Number	RATIO	VA at CL0.5
X306-1251011GS0000	125/100mA	0.1

Model 3PH 116/26

RJ12 Three Phase Current Transformer (35.5mm Centres)

Case: 116mm wide x 47mm deep x 30mm high. Aperture 3@ 26mm diameter

Part Number	RATIO	VA at CL0.5
X307-2501011GS0000	250/100mA	0.1

Contact

Available from
Russell Controls Limited . Agent of Sifam Tinsley

email lisa.russell@russellcontrols.co.uk
Telephone +44 (0) 7368883755

