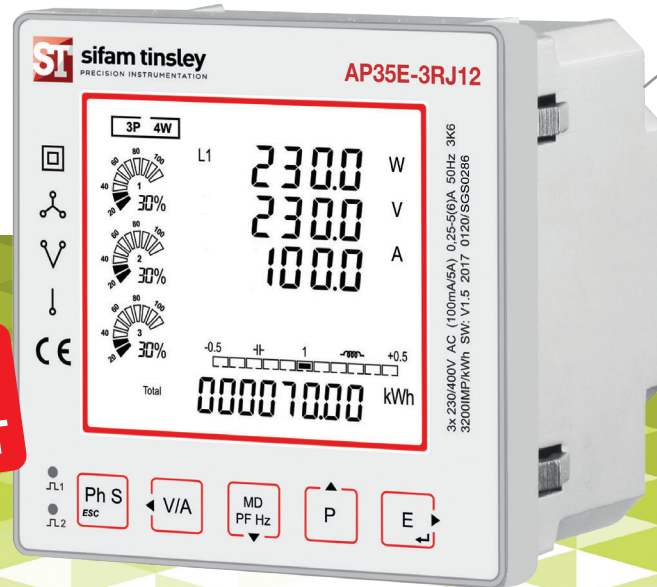




**NEW
PRODUCT**



Multifunction Meters

Transducers & Isolators

Temperature Controllers

Converters & Recorders

Digital Panel Meters

Current Transformers

Analogue Panel Meters

Shunts

Digital Multimeters

Clamp Meters

Insulation Testers

AP35E-3RJ12 PANEL MOUNTED

Features

- CE and MID Certified in the UK
- Overall System Accuracy Class B (1%)
- Phase sequence indication
- Programmable Pulsed output
- Built in RS485 RTU Modbus output
- Individual phase summary display (Amps, Volts, Watts and kWh)
- Lower specification option compared with AP35-3RJ12

SUBJECT TO CHANGE WITHOUT NOTICE

This datasheet superseded all previous versions – please keep for future reference

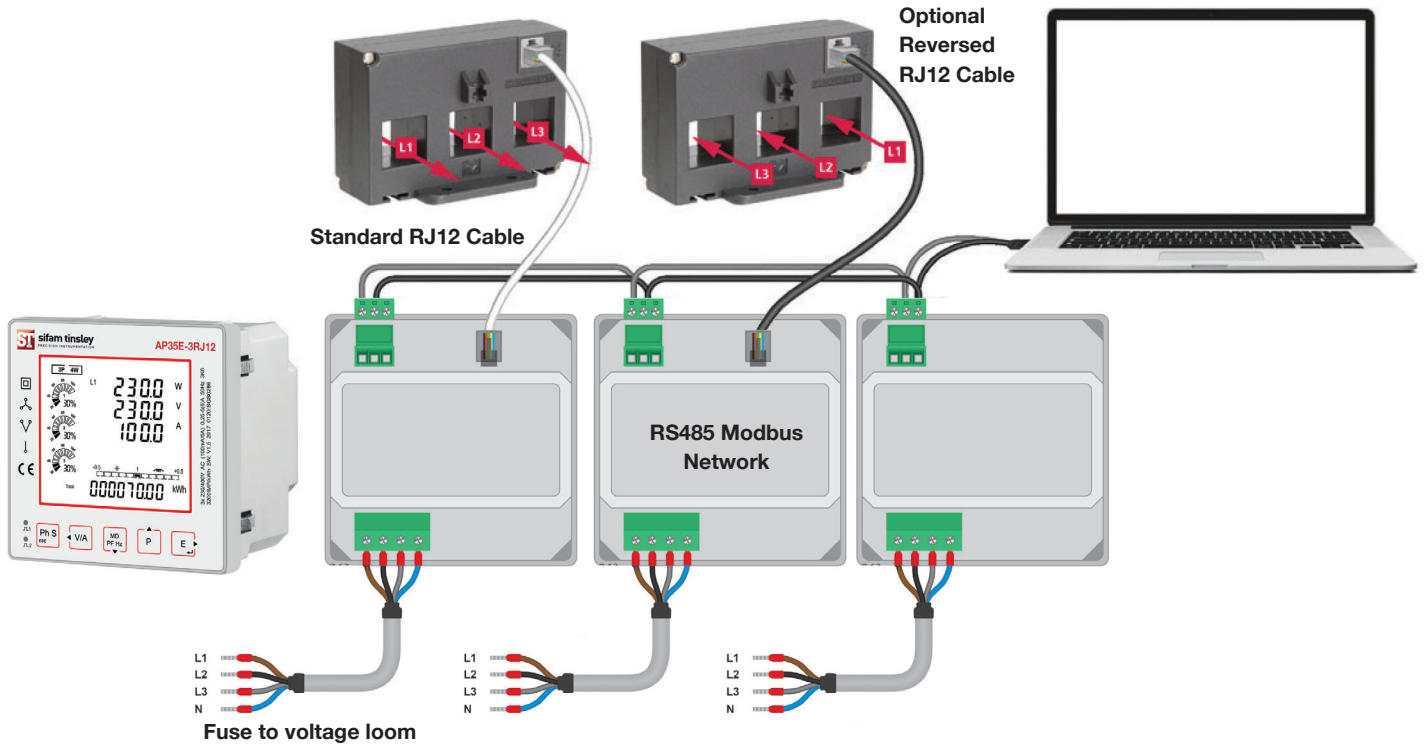
General Specifications

- CE and MID Certified in the UK
- Overall System Accuracy Class B (1%)
- Phase sequence indication
- Programmable Pulsed output
- Built in RS485 RTU Modbus output
- Individual phase summary display (Amps, Volts, Watts and kWh)
- Lower specification option compared with AP35-3RJ12



Example of installation

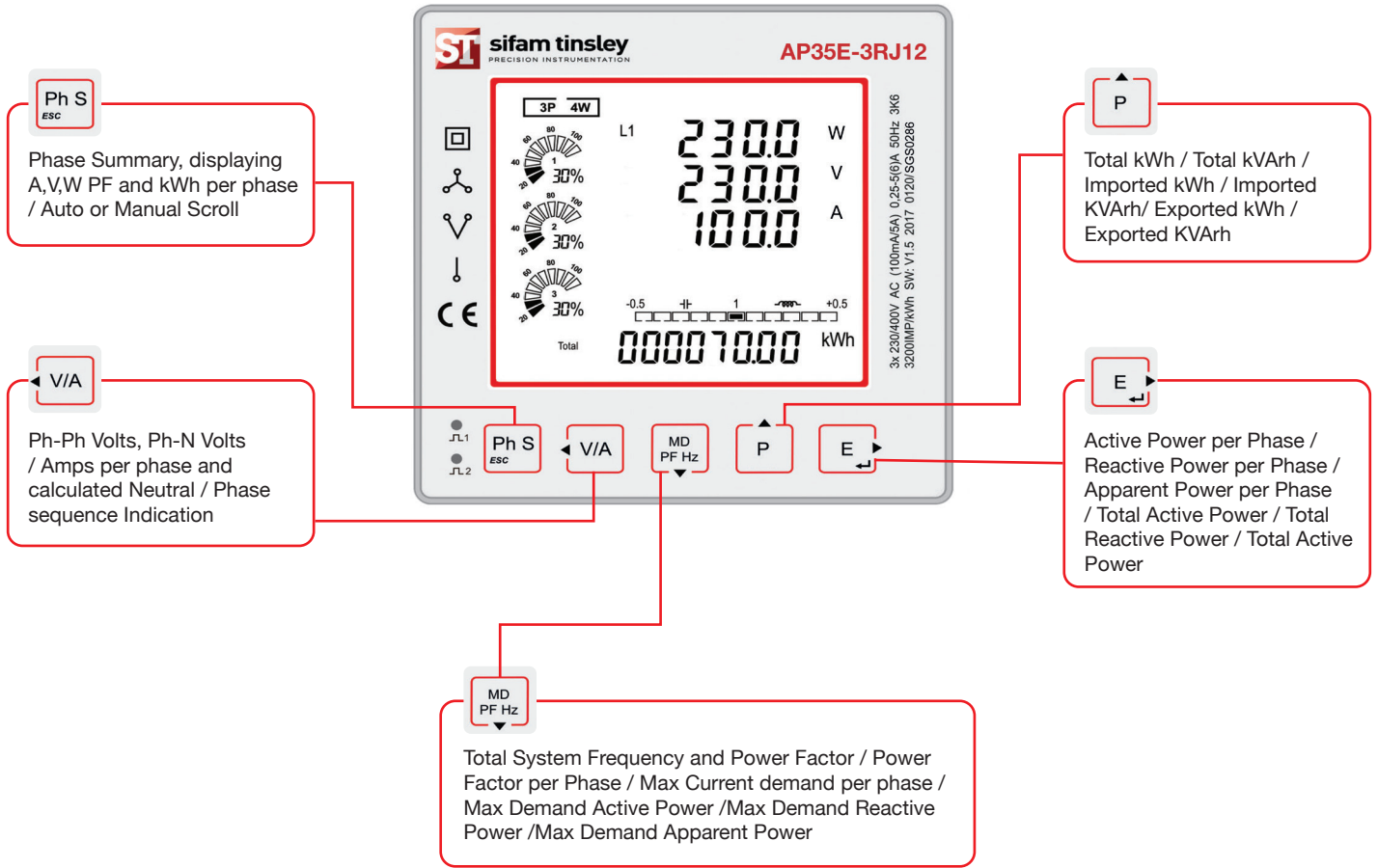
Three-phase Current Transformers



Description of AP35E-3RJ12 meter

Active Import/Export (kWh) 3x230/400V, 100mA/5(6)A, Transformer operated, Multifunction, RS485 Modbus RTU, No THD, No Voltage Output and 1P2W and 3P4W only

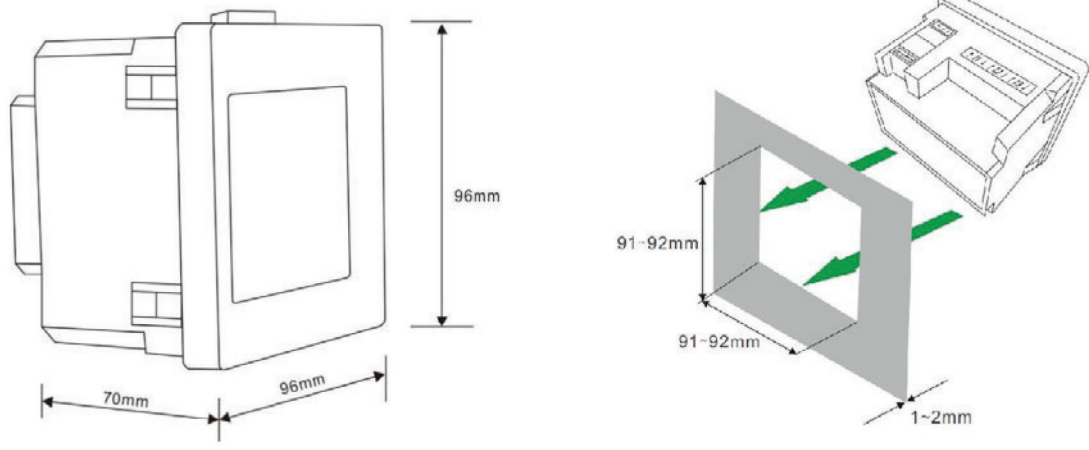
Features



Conformity references

| | |
|--------------------------------|---|
| Electromagnetic Compatibility: | IEC/EN61326-1, IEC/EN55011 Class A, IEC/EN61000-4-2,-3-4-5-6-8-11 IEC/EN50470-1/3 |
| Accuracy: | IEC/EN50470-1/3, IEC/EN62053-21, IEC/EN62053-23, DIRECTIVE 2014/32/EU |
| Safety: | EC/EN61010, IEC/EN50470-1 |

Dimensional Drawings



Available from
Russell Controls Limited . Agent of Sifam Tinsley

email lisa.russell@russellcontrols.co.uk
Telephone +44 (0) 7368883755

